

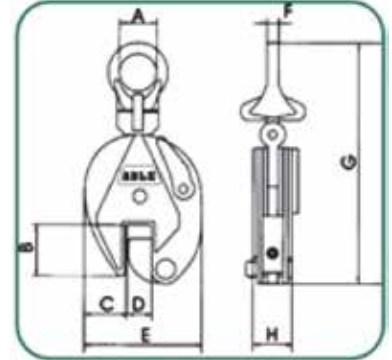
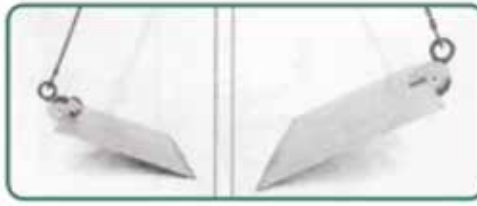
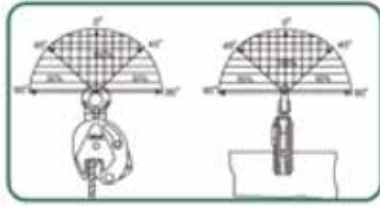
BL-PLC



BL-PLC Sac Tutucu / BL-PLC Plate Lifting Clamp

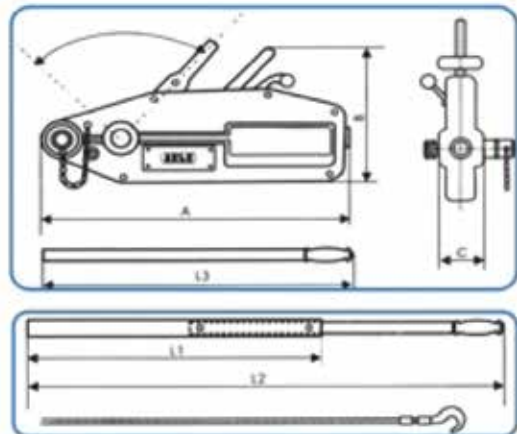
- Özel oynar başlığı sayesinde yatay pozisyonda kullanıma uygun
- HRC 37 setlik seviyesine kadar olan sac, çelik plaka ve malzemelerin kaldırılmasına uygundur
- Clamps are fitted with special hook up facilities to enable easy fittment of the clamp in horizontal position
- The clamps are suitable for surface hardnesses up to 37 HRC

		BL-PLC 05	BL-PLC 10	BL-PLC 20	BL-PLC 30	BL-PLC 50	BL-PLC 80
Kapasite / Capacity	kg	500	1000	2000	3000	5000	8000
Test yükü / Test load	kg	1000	2000	4000	6000	10000	16000
Ağırlık / Weight	kg	1.8	4.7	8.2	14.5	21.6	32.0
Ölçüler / Dimensions	A mm	30	48	68	74	80	80
	B mm	43	63	76	85	90	175
	C mm	34.5	51	59	56	65	80
	D mm	0-15	0-20	0-25	0-30	0-50	40-80
	E mm	103	138	164	193	240	345
	F mm	10	12	16	20	22	25
	G mm	212	294	370	418	450	568
	H mm	36	50	52	78	88	100



BL-WRP Halatlı Çekirme - Trifor / BL-WRP Wire Rope Puller

BL-WRP



		WRP 08	WRP 16	WRP 32	10125 IWRC20
Kaldırma kapasitesi / Lifting capacity	kg	800	1600	3200	5 x WLL
Çekme kapasitesi / Pulling capacity	kg	1300	2800	6000	
Halat çapı / Steel wire rope dia.	mm	IWRC8.3	IWRC11	IWRC16	28
Halat emniyet katsayısı / Wire rope safety factor load capacity	mm	5 x WLL	5 x WLL	5 x WLL	
Ağırlık / Weight (Without wire rope)	kg	6.4	12	23	