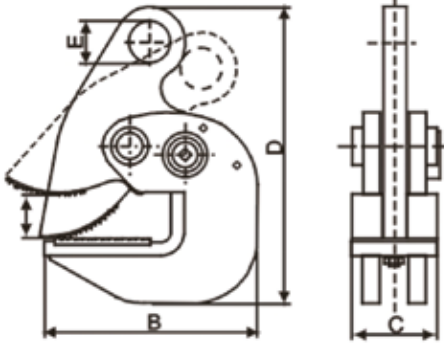


BL-QP A/B Yatay Sac Kaldırma / BL-QP A/B Horizontal Clamp



BL-QP A/B

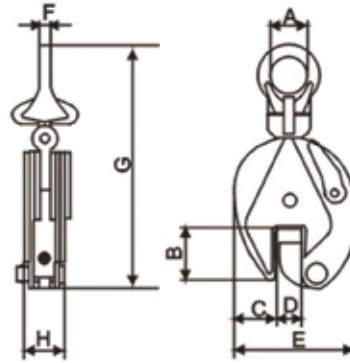


			BL-QP 0.75 A	BL-QP 1.5 A	BL-QP 2.5 A	BL-QP 0.75 B	BL-QP 1.5 B	BL-QP 2.5 B
Kapasite / Capacity	Tek/Single	kg	750	1500	2500	750	1500	2500
	Çift/Double		1500	3000	5000	1500	3000	5000
Test yükü / Test load	Tek/Single	kN	11.04	22.07	36.79	11.04	22.07	36.79
	Çift/Double		22.07	44.13	73.58	22.07	44.13	73.58
Maksimum çene açıklığı / Maximum jaw opening		mm	50	50	60	25	30	40
Ağırlık / Weight	Tek/Single	kg	4.3	7.7	14.1	2.4	3.9	13.4
	Çift/Double		8.6	15.4	28.2	4.8	7.8	26.8
Ölçüler / Dimensions	A	mm	0-52	0-52	0-62	0-27	0-32	0-52
	B	mm	127	220	260	125	157	231
	C	mm	100	110	130	50	65	90
	Dmax	mm	218	270	315	175	204	310
	E	mm	30	36	40	25	30	40

BL-QC/A Dikey Sac Kaldırma / BL-QC/A Vertical Clamp

			BL-QC 1 A	BL-QC 2 A	BL-QC 3 A	BL-QC 5 A
Kapasite / Capacity		kg	1000	2000	3000	5000
Test yükü / Test load		kN	14.7	29.4	44.1	73.5
Maksimum çene açıklığı / Maximum jaw opening		mm	20	25	30	50
Ağırlık / Weight		kg	4.8	6.5	15	23
Ölçüler / Dimensions	A	mm	48	68	74	80
	B	mm	63	76	85	90
	C	mm	51	59	56	65
	D	mm	0-22	0-27	0-32	0-52
	E	mm	138	164	193	240
	F	mm	12	16	20	22
	G	mm	294	370	418	450
	H	mm	50	52	78	88

BL-QC/A



BL-QC/B Dikey Sac Kaldırma / BL-QC/B Vertical Clamp

			BL-QC 1 A	BL-QC 2 A	BL-QC 3 A	BL-QC 5 A
Kapasite / Capacity		kg	1000	2000	3000	5000
Test yükü / Test load		kN	12.26	24.52	36.77	61.3
Maksimum çene açıklığı / Maximum jaw opening		mm	22	30	35	50
Ağırlık / Weight		kg	3.8	5.6	8.8	14
Ölçüler / Dimensions	A min	mm	241	271	319	405
	B	mm	66	79	88.5	100
	C max	mm	127	168	187	190
	D	mm	48	58	62	70
	H max	mm	22	30	35	50

BL-QC/B

